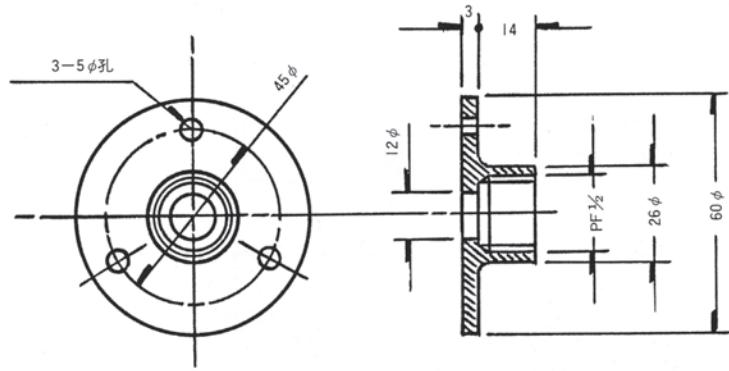
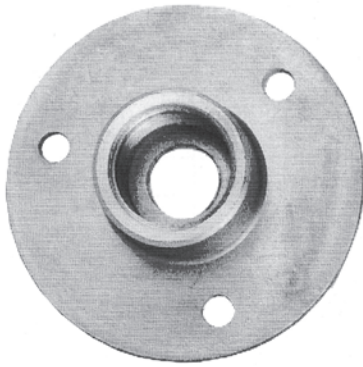
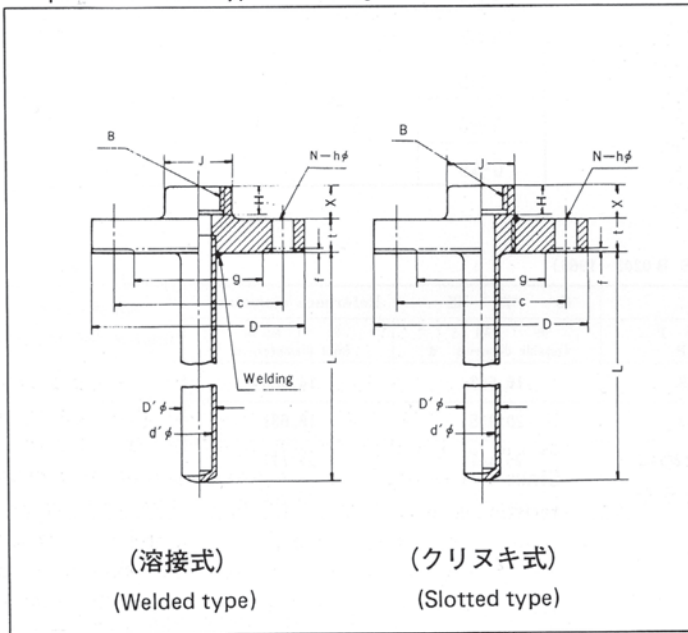


●ダクト用簡易フランジ Simple flange for duct
アルミ鋳物製



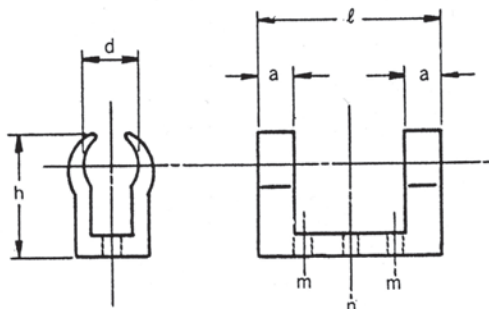
JIS保護管の形式およびフランジの各部寸法
JIS protection tube types and flange dimensions



JISによるフランジ各部寸法
JIS flange dimension

| 呼び寸法 Nominal dimension | D | t | g | C | f | N | h | |
|---------------------------|------|-----|-----|-----|-----|----|---|----|
| 5 k | 15 | 80 | 9 | 48 | 60 | 1 | 4 | 12 |
| | 20 | 85 | 10 | 52 | 65 | 1 | 4 | 12 |
| | 25 | 95 | 10 | 62 | 75 | 1 | 4 | 12 |
| | 32 | 115 | 12 | 72 | 90 | 2 | 4 | 15 |
| | 40 | 120 | 12 | 78 | 95 | 2 | 4 | 15 |
| 10 k | 50 | 130 | 14 | 88 | 105 | 2 | 4 | 15 |
| | 10 | 90 | 12 | 48 | 65 | 1 | 4 | 15 |
| | 15 | 95 | 12 | 52 | 70 | 1 | 4 | 15 |
| | 20 | 100 | 14 | 58 | 75 | 1 | 4 | 15 |
| | 25 | 125 | 14 | 70 | 90 | 1 | 4 | 19 |
| 16 k | 32 | 135 | 16 | 80 | 100 | 2 | 4 | 19 |
| | 40 | 140 | 16 | 85 | 105 | 2 | 4 | 19 |
| | 50 | 155 | 16 | 100 | 120 | 2 | 4 | 19 |
| | 10 | 90 | 12 | 48 | 65 | 1 | 4 | 15 |
| | 15 | 95 | 12 | 52 | 70 | 1 | 4 | 15 |
| 20 k | 20 | 100 | 14 | 58 | 75 | 1 | 4 | 15 |
| | 25 | 125 | 14 | 70 | 90 | 1 | 4 | 19 |
| | 32 | 135 | 16 | 80 | 100 | 2 | 4 | 19 |
| | 40 | 140 | 16 | 85 | 105 | 2 | 4 | 19 |
| | 50 | 155 | 16 | 100 | 120 | 2 | 8 | 19 |
| 30 k | 10 | 90 | 14 | 48 | 65 | 1 | 4 | 15 |
| | 15 | 95 | 14 | 52 | 70 | 1 | 4 | 15 |
| | 20 | 100 | 16 | 58 | 75 | 1 | 4 | 15 |
| | 25 | 125 | 16 | 70 | 90 | 1 | 4 | 19 |
| | 32 | 135 | 18 | 80 | 100 | 2 | 4 | 19 |
| 40 k | 40 | 140 | 18 | 85 | 105 | 2 | 4 | 19 |
| | 50 | 155 | 18 | 100 | 120 | 2 | 8 | 19 |
| | 10 | 110 | 16 | 52 | 75 | 1 | 4 | 19 |
| | 15 | 115 | 18 | 55 | 80 | 1 | 4 | 19 |
| | 20 | 120 | 18 | 60 | 85 | 1 | 4 | 19 |
| 30 k | 25 | 130 | 20 | 70 | 95 | 1 | 4 | 19 |
| | 32 | 140 | 22 | 80 | 105 | 2 | 4 | 19 |
| | 40 | 160 | 22 | 90 | 120 | 2 | 4 | 23 |
| | 50 | 165 | 22 | 105 | 130 | 2 | 8 | 19 |
| | 40 k | 10 | 110 | 18 | 52 | 75 | 1 | 4 |
| 15 | | 115 | 20 | 55 | 80 | 1 | 4 | 19 |
| 20 | | 120 | 20 | 60 | 85 | 1 | 4 | 19 |
| 25 | | 130 | 22 | 70 | 95 | 1 | 4 | 19 |
| 32 | | 140 | 24 | 80 | 105 | 2 | 4 | 19 |
| 40 k | 40 | 160 | 24 | 90 | 120 | 2 | 4 | 23 |
| | 50 | 165 | 26 | 105 | 130 | 2 | 8 | 19 |

●低温度用感温筒止メ
Low temperature sensor bulb mounting



寸法表 Dimensions

単位 Units : mm

| | d | h | ℓ | a | m | n |
|------|-----|------|------|-----|------|------|
| 9.5φ | 9 | 14.5 | 65 | 7 | 4.2φ | — |
| 8φ | 7 | 12.7 | 60.7 | 6.2 | 3.3φ | — |
| 6φ | 5.5 | 12.3 | 15 | 4 | — | 3.2φ |

●本カタログに記載されている型番・仕様・デザインは、予告無く変更する場合がありますのでご了承下さい。